



US006520425B1

(12) **United States Patent**
Reneker

(10) **Patent No.:** **US 6,520,425 B1**
(45) **Date of Patent:** **Feb. 18, 2003**

(54) **PROCESS AND APPARATUS FOR THE PRODUCTION OF NANOFIBERS**

FR 2 054 358 4/1971
GB 609167 3/1946

(75) Inventor: **Darrell H. Reneker**, Akron, OH (US)

OTHER PUBLICATIONS

(73) Assignee: **The University of Akron**, Akron, OH (US)

“Man-Made Fibers” by R.W. Moncrieff, Wiley Interscience Division, John Wiley & Sons, Inc., pp. 690–693, 1970.

(*) Notice: Subject to any disclaimer, the term of this patent is extended or adjusted under 35 U.S.C. 154(b) by 0 days.

“Man-Made Fibers” by R.W. Moncrieff, A Halsted Press Book, John Wiley & Sons, Inc., pp. 797–799, 1975.

(21) Appl. No.: **09/934,228**

“Polypropylene Fibers—Science and Technology” by M. Ahmed, *Textile Science and Technology* 5, pp. 434–461, 1982.

(22) Filed: **Aug. 21, 2001**

“Superfine Thermoplastic Fibers” by Van A. Went, *Industrial and Engineering Chemistry*, vol. 48, No. 8, 1956.

(51) **Int. Cl.**⁷ **B05B 1/28**

“Nanofibers for Engineered Textiles” by Darrell H. Reneker, Umist—Textiles Engineered For Performance, Apr. 20–22, 1998, 11 pages.

(52) **U.S. Cl.** **239/294; 239/424; 239/423**

* cited by examiner

(58) **Field of Search** 239/294, 290, 239/291, 421, 423, 424.5, 425, 428, 416, 416.5, 135, 137, 708; 264/12

(56) **References Cited**

Primary Examiner—Michael Mar

Assistant Examiner—Dinh Q. Nguyen

(74) *Attorney, Agent, or Firm*—Renner, Kenner, Greive, Bobak, Taylor & Weber

U.S. PATENT DOCUMENTS

- 4,167,548 A 9/1979 Arduini et al.
- 4,351,647 A * 9/1982 Marion et al. 48/197
- 4,491,456 A * 1/1985 Schlinger 48/197
- 4,734,227 A 3/1988 Smith
- 4,815,660 A 3/1989 Boger
- 4,891,249 A 1/1990 McIntyre
- 5,273,212 A 12/1993 Gerhardus et al.
- 5,421,921 A 6/1995 Gill et al.
- 5,476,616 A 12/1995 Schwarz
- 5,589,152 A 12/1996 Tennent et al.
- 5,613,637 A 3/1997 Schmon
- 5,617,997 A 4/1997 Kobayashi et al.
- 5,654,040 A 8/1997 Matsunaga
- 5,941,459 A * 8/1999 Brooker et al. 239/424
- 6,382,526 B1 * 5/2002 Reneker et al. 239/294

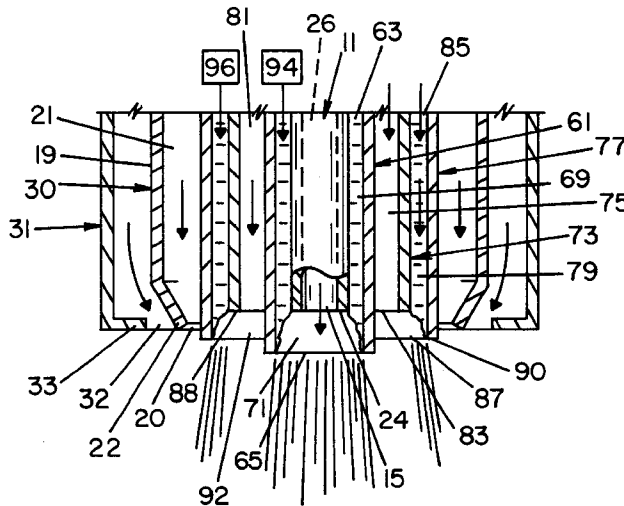
FOREIGN PATENT DOCUMENTS

- DE 195 43 606 A1 5/1996
- EP 0 173 333 3/1986

(57) **ABSTRACT**

A nozzle for forming nanofibers by using a pressurized gas stream comprises a center tube, a first supply tube that is positioned concentrically around and apart from the center tube, a middle gas tube positioned concentrically around and apart from the first supply tube, and a second supply tube positioned concentrically around and apart from the middle gas tube. The center tube and first supply tube form a first annular column. The middle gas tube and the first supply tube form a second annular column. The middle gas tube and second supply tube form a third annular column. The tubes are positioned so that first and second gas jet spaces are created between the lower ends of the center tube and first supply tube, and the middle gas tube and second supply tube, respectively. A method for forming nanofibers from a single nozzle is also disclosed.

18 Claims, 5 Drawing Sheets



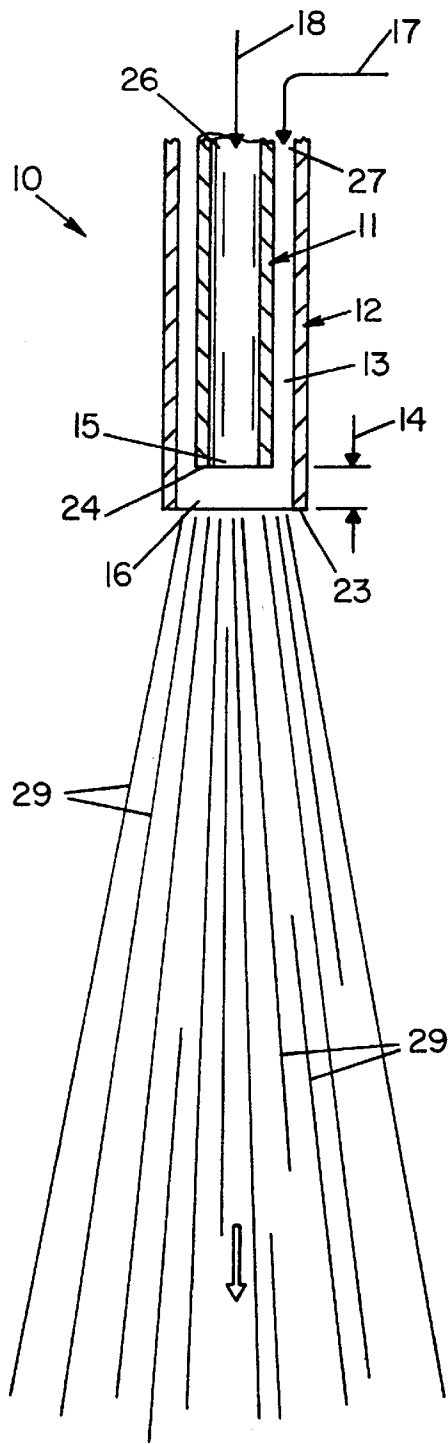


FIG. 1

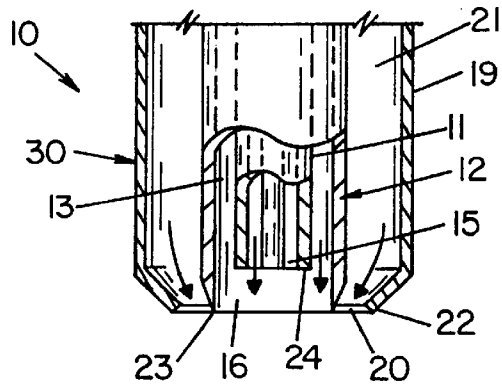


FIG. 2

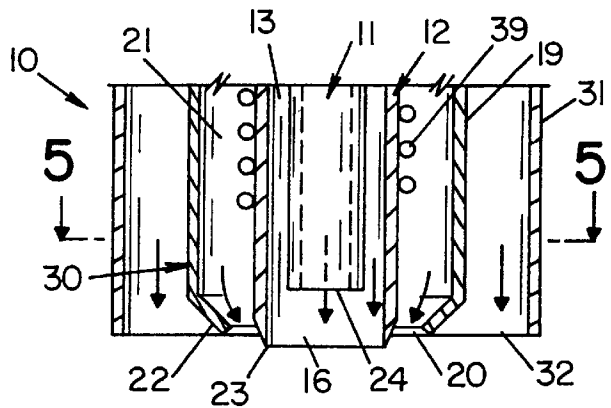


FIG. 3

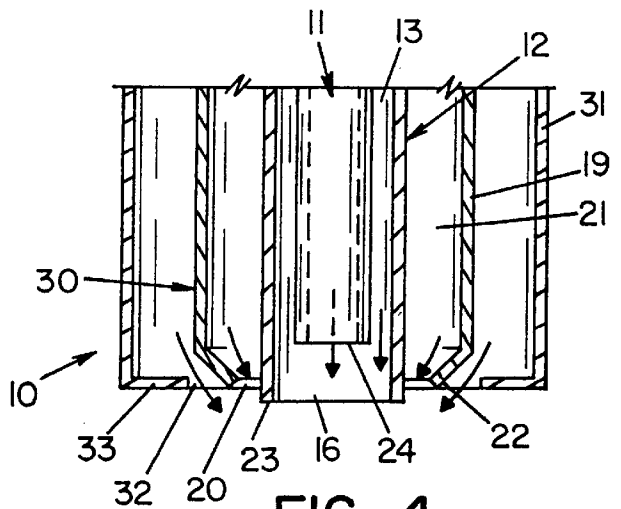


FIG. 4

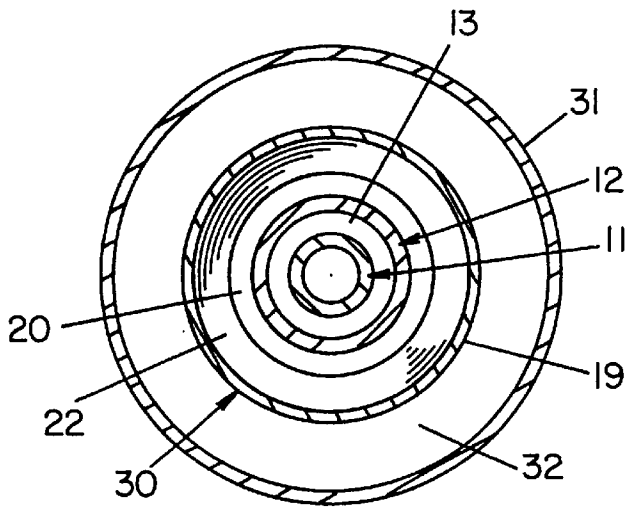


FIG. 5

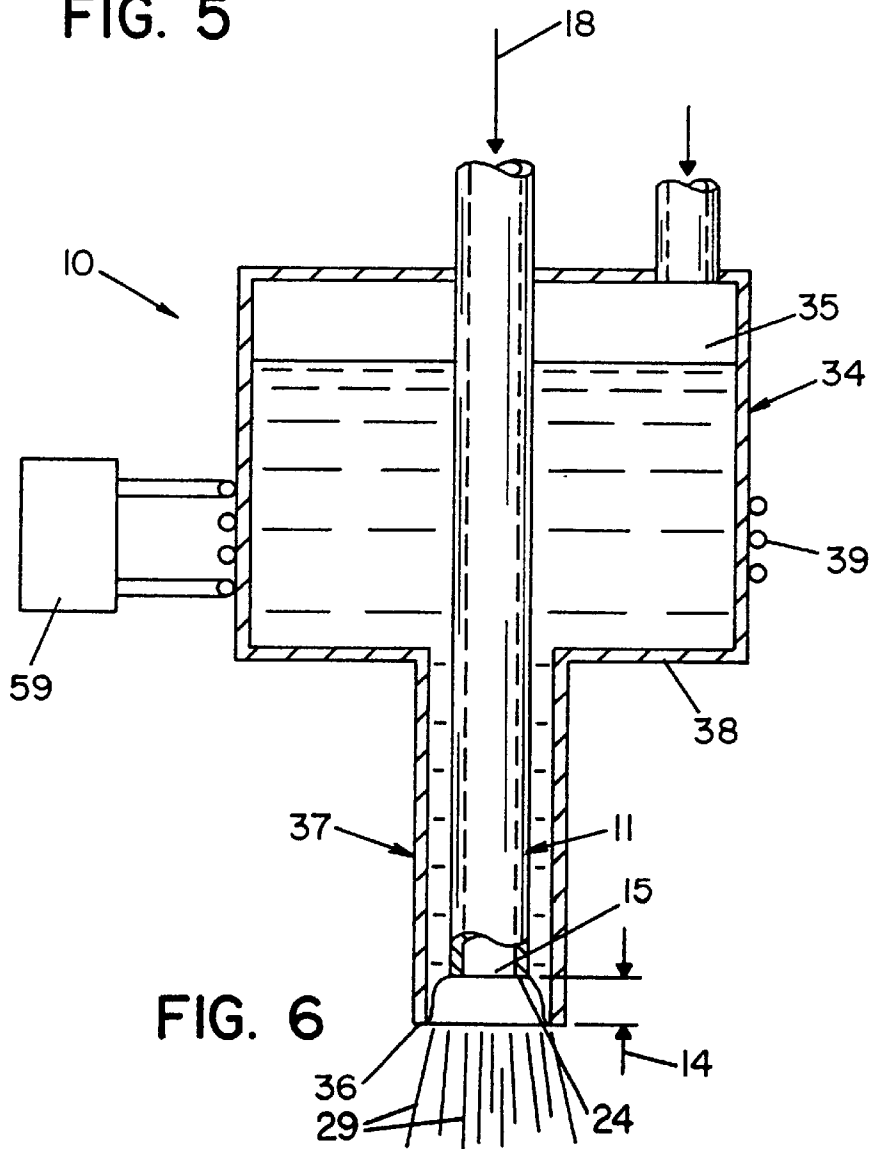
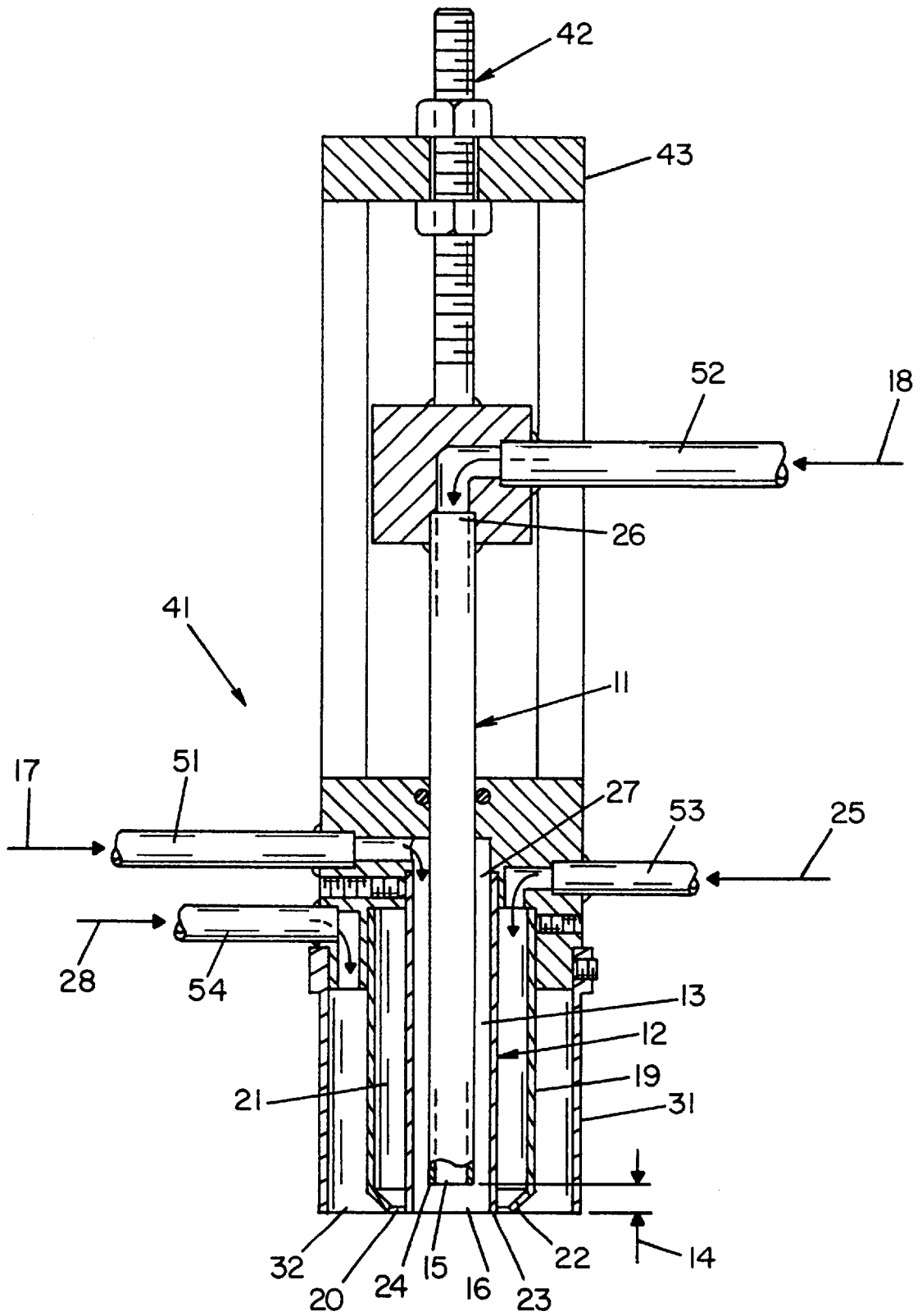


FIG. 6



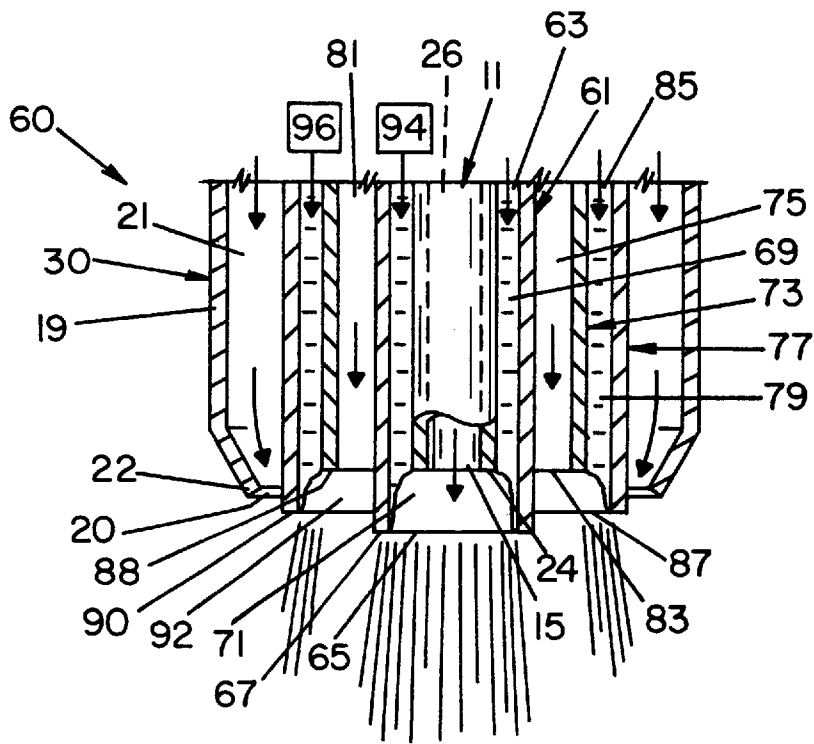


FIG. 8

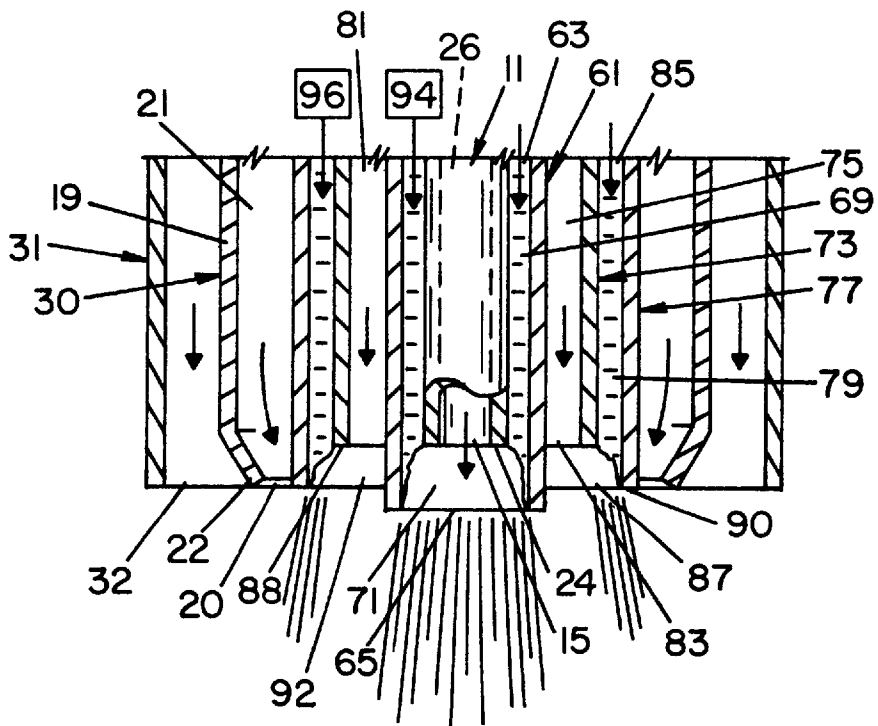


FIG. 9

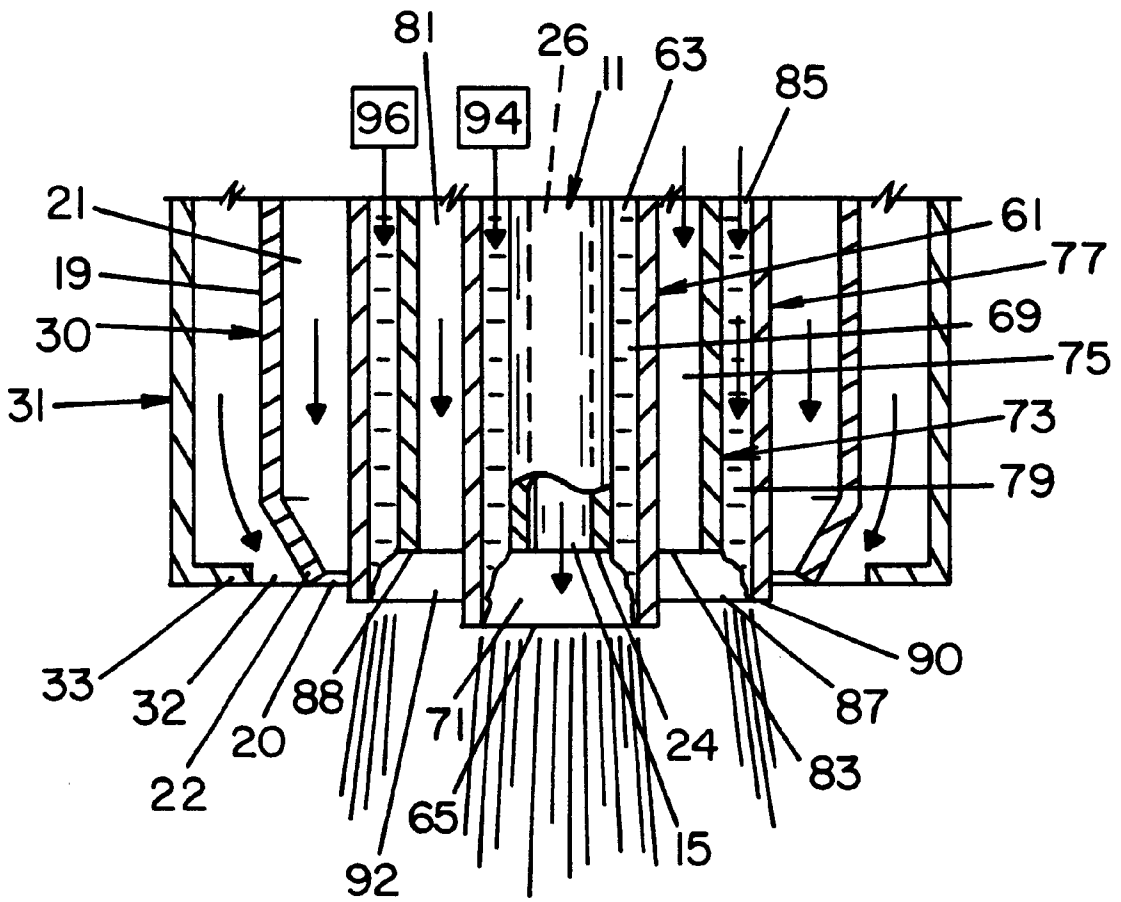


FIG. 10

PROCESS AND APPARATUS FOR THE PRODUCTION OF NANOFIBERS

This invention was made with government support under cooperative agreements awarded by the U.S. Army, U.S. Air Force, and the National Science Foundation. The government may have certain rights to the invention.

BACKGROUND OF THE INVENTION

Nanofiber technology has not yet developed commercially and, therefore, engineers and entrepreneurs have not had a source of nanofibers to incorporate into their designs. Uses for nanofibers will grow with improved prospects for cost-efficient manufacturing, and development of significant markets for nanofibers is almost certain in the next few years. The leaders in the introduction of nanofibers into useful products are already underway in the high performance filter industry. In the biomaterials area, there is a strong industrial interest in the development of structures to support living cells. The protective clothing and textile applications of nanofibers are of interest to the designers of sports wear, and to the military, since the high surface area per unit mass of nanofibers can provide a fairly comfortable garment with a useful level of protection against chemical and biological warfare agents.

Carbon nanofibers are potentially useful in reinforced composites, as supports for catalysts in high temperature reactions, heat management, reinforcement of elastomers, filters for liquids and gases, and as a component of protective clothing. Nanofibers of carbon or polymer are likely to find applications in reinforced composites, substrates for enzymes and catalysts, applying pesticides to plants, textiles with improved comfort and protection, advanced filters for aerosols or particles with nanometer scale dimensions, aerospace thermal management application, and sensors with fast response times to changes in temperature and chemical environment. Ceramic nanofibers made from polymeric intermediates are likely to be useful as catalyst supports, reinforcing fibers for use at high temperatures, and for the construction of filters for hot, reactive gases and liquids.

It is known to produce nanofibers by using electrospinning techniques. These techniques, however, have been problematic because some spinnable fluids are very viscous and require higher forces than electric fields can supply before sparking occurs, i.e., there is a dielectric breakdown in the air. Likewise, these techniques have been problematic where higher temperatures are required because high temperatures increase the conductivity of structural parts and complicate the control of high electrical fields.

It is known to use pressurized gas to create polymer fibers by using melt-blowing techniques. According to these techniques, a stream of molten polymer is extruded into a jet of gas. These polymer fibers, however, are rather large in that the fibers are greater than 1,000 nanometers (1 micron) in diameter and more typically greater than 10,000 nanometers (10 microns) in diameter. It is also known to combine electrospinning techniques with melt-blowing techniques. But, the combination of an electric field has not proved to be successful in producing nanofibers inasmuch as an electric field does not produce stretching forces large enough to draw the fibers because the electric fields are limited by the dielectric breakdown strength of air.

The use of a nozzle to create a single type of nanofiber from a fiber-forming material is known from co-pending application Ser. No. 09/410,808. However, such a nozzle cannot simultaneously create a mixture of nanofibers that vary in their composition, size or other properties.

Many nozzles and similar apparatus that are used in conjunction with pressurized gas are also known in the art. For example, the art for producing small liquid droplets includes numerous spraying apparatus including those that are used for air brushes or pesticide sprayers. But, there are no apparatus or nozzles capable of simultaneously producing a plurality of nanofibers from a single nozzle.

SUMMARY OF INVENTION

It is therefore an aspect of the present invention to provide a method for forming a plurality of nanofibers that vary in their physical or chemical properties.

It is another aspect of the present invention to provide a method for forming a plurality of nanofibers as above, having a diameter less than about 3,000 nanometers.

It is yet another aspect of the present invention to provide a method for forming a plurality of nanofibers as above, from the group consisting of fiber-forming polymers, fiber-forming ceramic precursors, and fiber-forming carbon precursors.

It is still another aspect of the present invention to provide a nozzle that, in conjunction with pressurized gas, simultaneously produces a plurality of nanofibers that vary in their physical or chemical properties.

It is yet another aspect of the present invention to provide a nozzle, as above, that produces a plurality of nanofibers having a diameter less than about 3,000 nanometers.

It is still another aspect of the present invention to provide a nozzle that produces a mixture of nanofibers from one or more polymers simultaneously.

At least one or more of the foregoing aspects, together with the advantages thereof over the known art relating to the manufacture of nanofibers, will become apparent from the specification that follows and are accomplished by the invention as hereinafter described and claimed.

In general the present invention provides a method for forming a plurality of nanofibers from a single nozzle comprising the steps of: providing a nozzle containing: a center tube; a first supply tube that is positioned concentrically around and apart from said center tube, wherein said center tube and said first supply tube form a first annular column, and wherein said center tube is positioned within said first supply tube so that a first gas jet space is created between a lower end of said center tube and a lower end of said supply tube; a middle gas tube positioned concentrically around and apart from said first supply tube, forming a second annular column; and a second supply tube positioned concentrically around and apart from said middle gas tube, wherein said middle gas tube and second supply tube form a third annular column, and wherein said middle gas tube is positioned within said second supply tube so that a second gas jet space is created between a lower end of said middle gas tube and a lower end of said second supply tube; and feeding one or more fiber-forming materials into said first and second supply tubes; directing the fiber-forming materials into said first and second gas jet spaces, thereby forming an annular film of fiber-forming material in said first and second gas jet spaces, each annular film having an inner circumference; and simultaneously forcing gas through said center tube and said middle gas tube, and into said first and second gas jet spaces, thereby causing the gas to contact the inner circumference of said annular films in said first and second gas jet spaces, and ejecting the fiber-forming material from the exit orifices of said first and third annular columns in the form of a plurality of strands of fiber-forming material that solidify and form nanofibers having a diameter up to about 3,000 nanometers.

The present invention also includes a nozzle for forming a plurality of nanofibers by using a pressurized gas stream comprising a center tube, a first supply tube that is positioned concentrically around and apart from said center tube; wherein said center tube and said first supply tube form a first annular column, and wherein said center tube is positioned within said first supply tube so that a first gas jet space is created between a lower end of said center tube and a lower end of said supply tube; a middle gas tube positioned concentrically around and apart from said first supply tube, forming a second annular column; a second supply tube positioned concentrically around and apart from said middle gas tube, wherein said middle gas tube and second supply tube form a third annular column, and wherein said middle gas tube is positioned within said second supply tube so that a second gas jet space is created between a lower end of said middle gas tube and a lower end of said second supply tube.

BRIEF DESCRIPTION OF THE DRAWINGS

FIG. 1 is a schematic diagram of an apparatus for producing nanofibers according to this invention.

FIG. 2 is a schematic representation of a preferred embodiment of the apparatus of this invention, wherein the apparatus includes a lip cleaner assembly.

FIG. 3 is a schematic representation of a preferred embodiment of the apparatus of this invention, wherein the apparatus includes an outer gas shroud assembly.

FIG. 4 is a schematic representation of a preferred embodiment of the apparatus of the invention, wherein the apparatus includes an outer gas shroud, and the shroud is modified with a partition.

FIG. 5 is a cross sectional view taken along line 5—5 of the embodiment shown in FIG. 3.

FIG. 6 is a schematic representation of a preferred embodiment of the apparatus of this invention wherein the apparatus is designed for batch processes.

FIG. 7 is a schematic representation of a preferred embodiment of the apparatus of this invention wherein the apparatus is designed for continuous processes.

FIG. 8 is a schematic representation of a preferred embodiment of the apparatus of this invention wherein the apparatus is designed for the production of a mixture of nanofibers from one or more polymers simultaneously.

FIG. 9 is a schematic representation of a preferred embodiment of the apparatus of this invention, wherein the apparatus includes an outer gas shroud assembly.

FIG. 10 is a schematic representation of another embodiment of the apparatus of the invention, wherein the apparatus includes an outer gas shroud, having a partition directed radially inward at an end thereof.

DETAILED DESCRIPTION OF THE INVENTION

It has now been found that nanofibers can be produced by using pressurized gas. This is generally accomplished by a process wherein the mechanical forces supplied by an expanding gas jet create nanofibers from a fluid that flows through a nozzle. This process may be referred to as nanofibers by gas jet (NGJ). NGJ is a broadly applicable process that produces nanofibers from any spinnable fluid or fiber-forming material.

In general, a spinnable fluid or fiber-forming material is any fluid or material that can be mechanically formed into a cylinder or other long shapes by stretching and then solidi-

fying the liquid or material. This solidification can occur by, for example, cooling, chemical reaction, coalescence, or removal of a solvent. Examples of spinnable fluids include molten pitch, polymer solutions, polymer melts, polymers that are precursors to ceramics, and molten glassy materials. Some preferred polymers include nylon, fluoropolymers, polyolefins, polyimides, polyesters, and other engineering polymers or textile forming polymers. The terms spinnable fluid and fiber-forming material may be used interchangeably throughout this specification without any limitation as to the fluid or material being used. As those skilled in the art will appreciate, a variety of fluids or materials can be employed to make fibers including pure liquids, solutions of fibers, mixtures with small particles and biological polymers.

A nozzle 10 that is employed in practicing the process of this invention is best described with reference to FIG. 1. Nozzle 10 includes a center tube 11 having an entrance orifice 26 and an outlet orifice 15. The diameter of center tube 11 can vary based upon the need for gas flow, which impacts the velocity of the gas as it moves a film of liquid across the jet space 14, as will be described below. In one embodiment, the diameter of tube 11 is from about 0.5 to about 10 mm, and more preferably from about 1 to about 2 mm. Likewise, the length of tube 11 can vary depending upon construction conveniences, heat flow considerations, and shear flow in the fluid. In one embodiment, the length of tube 11 will be from about 1 to about 20 cm, and more preferably from about 2 to about 5 cm. Positioned concentrically around and apart from the center tube 11 is a supply tube 12, which has an entrance orifice 27 and an outlet orifice 16. Center tube 11 and supply tube 12 create an annular space or column 13. This annular space or column 13 has a width, which is the difference between the inner and outer diameter of the annulus, that can vary based upon the viscosity of the fluid and the maintenance of a suitable thickness of fiber-forming material fluid on the inside wall of gas jet space 14. In a preferred embodiment, the width is from about 0.05 to about 5 mm, and more preferably from about 0.1 to about 1 mm. Center tube 11 is vertically positioned within supply tube 12 so that a gas jet space 14 is created between lower end 24 of center tube 11 and lower end 23 of supply tube 12. The position of center tube 11 is adjustable relative to lower end 23 of supply tube 12 so that the length of gas jet space 14 is adjustable. Gas jet space 14, i.e., the distance between lower end 23 and lower end 24, is adjustable so as to achieve a controlled flow of fluid along the inside of tube 12, and optimal conditions for nanofiber production at the end 23 of tube 12. In one embodiment, this distance is from about 0.1 to about 10 mm, and more preferably from about 1 to about 2 mm. It should be understood that gravity will not impact the operation of the apparatus of this invention, but for purposes of explaining the present invention, reference will be made to the apparatus as it is vertically positioned as shown in the figures.

It should be appreciated that the supply tube outlet orifice 16 and gas jet space 14 can have a number of different shapes and patterns. For example, the space 14 can be shaped as a cone, bell, trumpet, or other shapes to influence the uniformity of fibers launched at the orifice. The shape of the outlet orifice 16 can be circular, elliptical, scalloped, corrugated, or fluted. Still further, the inner wall of supply tube 12 can include slits or other manipulations that may alter fiber formation. These shapes influence the production rate and the distribution of fiber diameters in various ways.

According to the present invention, nanofibers are produced by using the apparatus of FIG. 1 by the following

method. Fiber-forming material is provided by a source 17, and fed through annular space 13. The fiber-forming material is directed into gas jet space 14. Simultaneously, pressurized gas is forced from a gas source 18 through the center tube 11 and into the gas jet space 14.

Within gas jet space 14 it is believed that the fiber-forming material is in the form of an annular film. In other words, fiber-forming material exiting from the annular space 13 into the gas jet space 14 forms a thin layer of fiber-forming material on the inside wall of supply tube 12 within gas jet space 14. This layer of fiber-forming material is subjected to shearing deformation by the gas jet exiting from center tube outlet orifice 15 until it reaches the fiber-forming material supply tube outlet orifice 16. At this point, it is believed that the layer of fiber-forming material is blown apart into many small strands 29 by the expanding gas and ejected from orifice 16 as shown in FIG. 1. Once ejected from orifice 16, these strands solidify and form nanofibers. This solidification can occur by cooling, chemical reaction, coalescence, ionizing radiation or removal of solvent.

As noted above, the fibers produced according to this process are nanofibers and have an average diameter that is less than about 3,000 nanometers, more preferably from about 3 to about 1,000 nanometers, and even more preferably from about 10 to about 500 nanometers. The diameter of these fibers can be adjusted by controlling various conditions including, but not limited to, temperature and gas pressure. The length of these fibers can widely vary to include fibers that are as short as about 0.01 mm up to those fibers that are about many km in length. Within this range, the fibers can have a length from about 1 mm to about 1 km, and more narrowly from about 1 cm to about 1 mm. The length of these fibers can be adjusted by controlling the solidification rate.

As discussed above, pressurized gas is forced through center tube 11 and into jet space 14. This gas should be forced through center tube 11 at a sufficiently high pressure so as to carry the fiber forming material along the wall of jet space 14 and create nanofibers. Therefore, in one preferred embodiment, the gas is forced through center tube 11 under a pressure of from about 10 to about 5,000 pounds per square inch (psi), and more preferably from about 50 to about 500 psi.

The term gas as used throughout this specification, includes any gas. Non-reactive gases are preferred and refer to those gases, or combinations thereof, that will not deleteriously impact the fiber-forming material. Examples of these gases include, but are not limited to, nitrogen, helium, argon, air, carbon dioxide, steam fluorocarbons, fluorochlorocarbons, and mixtures thereof. It should be understood that for purposes of this specification, gases will also refer to those super heated liquids that evaporate at the nozzle when pressure is released, e.g., steam. It should further be appreciated that these gases may contain solvent vapors that serve to control the rate of drying of the nanofibers made from polymer solutions. Still further, useful gases include those that react in a desirable way, including mixtures of gases and vapors or other materials that react in a desirable way. For example, it may be useful to employ oxygen to stabilize the production of nanofibers from pitch. Also, it may be useful to employ gas streams that include molecules that serve to crosslink polymers. Still further, it may be useful to employ gas streams that include metals that serve to improve the production of ceramics.

In a more preferred embodiment, shown in FIG. 2, nozzle 10 further comprises a lip cleaner 30. Within this assembly,

an outer gas tube 19 is positioned concentrically around and apart from supply tube 12. Outer gas tube 19 extends along supply tube 12 and thereby creates a gas annular column 21. Lower end 22 of outer gas tube 19 and lower end 23 of supply tube 12 form lip cleaner orifice 20. In one embodiment, lower end 22 and lower end 23 are on the same horizontal plane (flush) as shown in FIG. 2. In another embodiment, however, lower ends 22 and 23 may be on different horizontal planes as shown in FIGS. 3 and 4. As also shown in FIG. 2 outer gas tube 19 preferably tapers and thereby reduces the size of annular space 21. Pressurized gas is forced through outer gas tube 19 and exits from outer gas tube 19 at lip cleaner orifice 20, thereby preventing the build up of residual amounts of fiber-forming material that can accumulate at lower end 23 of supply tube 12. The gas that is forced through gas annular column 21 should be at a sufficiently high pressure so as to prevent accumulation of excess fiber-forming material at lower end 23 of supply tube 12, yet should not be so high that it disrupts the formation of fibers. Therefore, in one preferred embodiment, the gas is forced through the gas annular column 21 under a pressure of from about 0 to about 1,000 psi, and more preferably from about 10 to about 100 psi. The gas flow through lip cleaner orifice 20 also affects the exit angle of the strands of fiber-forming material exiting from outlet orifice 15, and therefore lip cleaner 30 of this environment serves both to clean the lip and control the flow of exiting fiber strands.

In yet another preferred embodiment, which is shown in FIGS. 3, 4, and 5, a shroud gas tube 31 is positioned concentrically around outer gas tube 19. Pressurized gas at a controlled temperature is forced through shroud gas tube 31 so that it exits from the shroud gas tube orifice 32 and thereby creates a moving shroud of gas around the nanofibers. This shroud of gas controls the cooling rate, solvent evaporation rate of the fluid, or the rate chemical reactions occurring within the fluid. It should be understood that the general shape of the gas shroud is controlled by the width of the annular tube orifice 32 and its vertical position with respect to bottom 23 of tube 12. The shape is further controlled by the pressure and volume of gas flowing through the shroud. It should be further understood that the gas flowing through the shroud is preferably under a relatively low pressure and at a relatively high volume flow rate in comparison with the gas flowing through center tube 11.

In one embodiment, shroud gas tube orifice 32 is in an open configuration, as shown in FIG. 3. In another embodiment, as shown in FIG. 4, orifice 32 is in a constricted configuration, wherein the orifice is partially closed by a shroud partition 33 that adjustably extends from shroud gas tube 31 toward lower end 23.

In practicing the present invention, spinnable fluid or fiber-forming material can be delivered to annular space 13 by several techniques. For example, and as shown in FIG. 6, the fiber-forming material can be stored within nozzle 10. This is especially useful for batch operations. As with the previous embodiments, nozzle 10 will include a center tube 11. Positioned, preferably concentrically, around center tube 11 is a fiber-forming material container 34, comprising container walls 38, and defining a storage space 35. The size of storage space 35, and therefore the volume of spinnable fluid stored within it, will vary according to the particular application to which the present invention is put. Fiber-forming material container 34 further comprises a supply tube 12. Center tube 11 is inserted into fiber-forming material container 34 in such a way that a center tube outlet orifice 15 is positioned within the outlet tube 37, creating a gas jet space 14 between the lower end 24 of center outlet

11 and the lower end 36 of outlet tube 37. The position of center tube 11 is vertically adjustable relative to lower end 36 so that the length of the gas jet space 14 is likewise adjustable. As with previously described embodiments, gas jet space 14, i.e., the distance between lower end 36 and lower end 24, is adjustable so as to achieve a uniform film within space 14 and thereby produce uniform fibers with small diameters and high productivity. In one embodiment, this distance is from about 1 to about 2 mm, and more preferably from about 0.1 to about 5 mm. The length of outlet tube 37 can be varied according to the particular application of the present invention. If container wall 38 is of sufficient thickness, such that a suitable gas jet space can be created within wall 38, then outlet tube 37 may be eliminated.

According to this embodiment, nanofibers are produced by using the apparatus of FIG. 6 according to the following method. Pressure is applied to the container so that fiber-forming material is forced from storage space 35 into gas jet space 14. The pressure that is applied can result from gas pressure, pressurized fluid, or molten polymer from an extruder. Simultaneously, pressurized gas is forced from a gas source 18, through center tube 11, and exits through center tube orifice 15 into gas jet space 14. As with previous embodiments, heat may be applied to the fiber-forming material prior to or after being placed in fiber-forming material container 34, to the pressurized gas entering center tube 11, and/or to storage space 35 by heat source 39 or additional heat sources. Fiber-forming material exiting from storage space 35 into gas jet space 14 forms a thin layer of fiber-forming material on the inside wall of gas jet space 14. This layer of fiber-forming material is subjected to shearing deformation, or other modes of deformation such as surface wave, by the gas jet until it reaches container outlet orifice 36. There the layer of fiber-forming material is blown apart, into many small strands, by the expanding gas.

In still another embodiment, as shown in FIG. 7, the fiber-forming material can be delivered on a continuous basis rather than a batch basis as in FIG. 6. In this embodiment, the apparatus is a continuous flow nozzle 41. Consistent with previous embodiments, nozzle 41 comprises a center tube 11, a supply tube 12, an outer gas tube 19, and a gas shroud tube 31. Supply tube 12 is positioned concentrically around center tube 11. Outer gas tube 19 is positioned concentrically around supply tube 12. Gas shroud tube 31 is positioned concentrically around outer gas tube 19. Center tube 11 has an entrance orifice 26 and an outlet orifice 15. As in previous embodiments, the diameter of center tube 11 can vary. In one embodiment, the diameter of tube 11 is from about 1 to about 20 mm, and more preferably from about 2 to about 5 mm. Likewise the length of tube 11 can vary. In a preferred embodiment, the length of tube 11 will be from about 1 to about 10 cm, and more preferably from about 2 to about 3 cm.

Positioned concentrically around the center tube 11 is a supply tube 12 that has an entrance orifice 27 and an outlet orifice 16. The center tube 11 and supply tube 12 create an annular space or column 13. This annular space or column 13 has a width, which is the difference between the inner and outer diameter of the annulus, that can vary. In a preferred embodiment, the width is from about 0.05 to about 5 mm, and more preferably from about 0.1 to about 1 mm.

Center tube 11 is vertically positioned within the supply tube 12 so that a gas jet space 14 is created between the lower end 24 of center tube 11 and the lower end 23 of supply tube 12. The position of center tube 11 is adjustable relative to supply tube outlet orifice 16 so that the size of gas

jet space 14 is adjustable. As with previously embodiments, the gas jet space 14, i.e., the distance between lower end 23 and lower end 24, is adjustable. In one embodiment this distance is from about 0.1 to about 10 mm, and more preferably from about 1 to about 2 mm.

Center tube 11 is attached to an adjustment device 42 that can be manipulated such as by mechanical manipulation. In one particular embodiment as shown in FIG. 7, the adjustment device 42 is a threaded rod that is inserted through a mounting device 43 and is secured thereby by a pair of nuts threaded onto the rod.

In this embodiment, supply tube 12 is in fluid tight communication with supply inlet tube 51. Center tube 11 is in fluid tight communication with pressurized gas inlet tube 52, outer gas tube 19 is in fluid tight communication with the lip cleaner gas inlet tube 53, and gas shroud tube 31 is in fluid tight communication with shroud gas inlet tube 54. This fluid tight communication is achieved by use of a connector, but other means of making a fluid tight communication can be used, as known by those skilled in the art.

According to the present invention, nanofibers are produced by using the apparatus of FIG. 7 by the following method. Fiber-forming material is provided by a source 17 through supply inlet tube 51 into and through annular space 13, and then into gas jet space 14. Preferably the fiber-forming material is supplied to the supply inlet tube 51 under a pressure of from about 0 to about 15,000 psi, and more preferably from about 100 to about 1,000 psi. Simultaneously, pressurized gas is forced through inlet tube 52, through center tube 11, and into gas jet space 14. As with previously described embodiments, it is believed that fiber-forming material is in the form of an annular film within gas jet space 14. This layer of fiber-forming material is subjected to shearing deformation by the gas jet exiting from the center tube outlet orifice 15 until it reaches the fiber-forming material supply tube outlet orifice 16. At this point, it is believed that the layer of fiber-forming material is blown apart into many small strands by the expanding gas. Once ejected from orifice 16, these strands solidify in the form of nanofibers. This solidification can occur by cooling, chemical reaction, coalescence, ionizing radiation or removal of solvent. As with previously described embodiments also simultaneously, pressurized gas is supplied by gas source 25 to lip cleaner inlet tube 53 into outer gas tube 19.

As with previous embodiments, the outer gas tube 19 extends along supply tube 12 and thereby creates an annular column of gas 21. The lower end 22 of gas annular column 21 and the lower end 23 of supply tube 12 form a lip cleaner orifice 20. In this embodiment, lower end 22 and lower end 23 are on the same horizontal plane (flush) as shown in FIG. 7. As noted above, however, lower ends 22 and 23 may be on different horizontal planes. The pressurized of gas exiting through lip cleaner orifice 20 prevents the buildup of residual amounts of fiber-forming material that can accumulate at lower end 23 of supply tube 12. Simultaneously, pressurized gas is supplied by gas source 28 through shroud gas inlet tube 54 to shroud gas tube 31. Pressurized gas is forced through the shroud gas tube 31 and it exits from the shroud gas tube orifice 32 thereby creating a shroud of gas around the nanofibers that control the cooling rate of the nanofibers exiting from tube orifice 16. In one particular embodiment, fiber-forming material is supplied by an extruder.

A mixture of nanofibers can be produced from the nozzles shown in FIGS. 8-10. In these embodiments, a plurality of gas tubes and supply tubes are concentrically positioned in

an alternating manner such that a plurality of gas jet spaces are created. In previously described embodiments, a single supply tube and a single gas tube create a single gas jet space.

As shown in FIG. 8, nozzle 60 includes a center tube 11 having an entrance orifice 26 and an outlet orifice 15. The diameter of center tube 11 can vary based upon the need for gas flow. Center tube 11 may be specifically adapted to carry a pressurized gas. Positioned concentrically around center tube 11 is a first supply tube 61 that has an entrance orifice 63 and an exit orifice 65. Center tube 11 and first supply tube 61 create a first supply annular space or column 69. First supply tube 61 may be specifically adapted to carry a fiber-forming material. Furthermore, center tube 11 and first supply tube 61 may be positioned such that they are essentially parallel to each other.

As with previous embodiments, center tube 11 is positioned within first supply tube 61 so that a first gas jet space 71 is created between the lower end 24 of center tube 11 and the lower end 67 of first supply tube 61. The position of center tube 11 may be adjustable relative to lower end 67 of first supply tube 61 so that the length of first gas jet space 71 is adjustable. Also, the width of first supply annular space or column 69 can be varied to accommodate the viscosity of the fluid and the maintenance of a suitable thickness of fiber-forming material on the inside wall of first gas jet space 71.

Nozzle 60 also has a middle gas tube 73 positioned concentrically around and apart from first supply tube 61. Middle gas tube 73 extends along first supply tube 61 and thereby creates a middle gas annular column 75. Middle gas tube 73 has an entrance orifice 81 and an exit orifice 83.

Unlike previous embodiments, a second supply tube 77 is positioned concentrically around middle gas tube 73, which creates a second supply annular space or column 79. Second supply tube 77 has an entrance orifice 85 and an exit orifice 87. As with first supply tube 61, second supply tube 77 may be specifically adapted to carry a fiber forming material. Middle gas tube 73 is positioned within second supply tube 77 so that a second gas jet space 92 is created between the lower end 88 of middle gas tube 73 and the lower end 90 of second supply tube 77. The position of middle gas tube 73 may be adjustable relative to lower end 90 of second supply tube 77 so that the length of second gas jet space 92 is adjustable. The dimensions of first and second gas jet spaces, 71 and 92 respectively, are adjustable in order to achieve a controlled flow of fiber-forming material along the inside of first supply tube 61 and second supply tube 77, and thereby provide optimal conditions for nanofiber production at ends 67 and 90 of tubes 61 and 77. Preferably, the distance between ends 88 and 90, and between ends 24 and 67, is from about 0.1 to about 10 mm, and more preferably from about 1 to about 2 mm. In one example of this embodiment, lower end 90 and lower end 67 are on different horizontal planes as shown in FIG. 8. In another example of this embodiment, lower end 90 is on the same horizontal plane (flush) as lower end 67 (not shown).

For purposes of clarity, the present embodiments as shown in FIGS. 8-10 feature two supply tubes and corresponding gas supply tubes, but it is envisioned that any multiple of supply tubes and gas tubes can be positioned concentrically around center tube 11 in the same repeating pattern as described above.

Nozzle 60 optionally further comprises a lip cleaner 30, as shown in FIG. 8. Lip cleaner 30 comprises an outer air tube 19 positioned concentrically around and apart from second supply tube 77, as shown in FIG. 8, or concentrically around

the outermost supply tube if more than two supply tubes are present as mentioned above. Outer gas tube 19 extends along second supply tube 77 and thereby creates a gas annular column 21. A lower end 22 of outer gas tube 19 and lower end 90 of second supply tube 77 form lip cleaner orifice 20. As in previous embodiments, lower ends 22 and 90 may also be on different horizontal planes as shown in FIG. 8, or lower end 22 may be on the same horizontal plane (flush) as lower end 90 as shown in FIG. 9. As shown in FIGS. 8-10, outer gas tube 19 preferably tapers and thereby reduces the size of annular space 21 at lower end 22.

Nanofibers are produced by using the apparatus of FIG. 8 by the following method. A first fiber-forming material is provided by a first material source 94, and fed through first annular space 69 and directed into first gas jet space 71. Pressurized gas is forced from a gas source through the center tube 11 and into first gas jet space 71. This gas should be forced through center tube 11 at a sufficiently high pressure so as to carry the fiber forming material along the wall of jet space 71 and create nanofibers, as mentioned in previous embodiments. A second fiber-forming material may be provided by the first material source (not shown) or by a second material source 96, and fed through second supply annular space 79. The second fiber-forming material is directed into second gas jet space 92. Pressurized gas is forced from a source through middle gas annular column 75 and into second gas jet space 92. This gas should be forced through middle gas annular column 75 at a sufficiently high pressure so as to carry the fiber forming material along the wall of jet space 92 and create nanofibers, as mentioned in previous embodiments. Therefore, in one embodiment, the gas is forced through center tube 11 and middle gas tube 73 under a pressure of from about 10 to about 5,000 psi, and more preferably from about 50 to about 500 psi.

Pressurized gas is also forced through outer gas tube 19 and exits from outer gas tube 19 at lip cleaner orifice 20, thereby preventing the build up of residual amounts of fiber-forming material that can accumulate at lower end 90 of supply tube 77. The gas flow through lip cleaner orifice 20 also affects the exit angle of the strands of fiber-forming material exiting from exit orifice 87, and therefore lip cleaner 30 of this environment serves both to clean the lip and control the flow of exiting fiber strands. In a similar manner, the gas exiting second supply tube exit orifice 87 also serves to clean lower end 67 of first supply tube 61 and controls the flow of fiber strands exiting from first supply tube 61. In this way, each gas tube functions as a lip cleaner for the supply tube that is concentrically interior to it.

The gas that is forced through gas annular column 21 should be at a sufficiently high pressure so as to prevent accumulation of excess fiber-forming material at lower end 90 of second supply tube 77, yet should not be so high that it disrupts the formation of fibers. Therefore, in one embodiment, the gas is forced through the gas annular column 21 under a pressure of from about 0 to about 1,000 psi, and more preferably from about 10 to about 100 psi. The gas flow through lip cleaner orifice 20 also affects the exit angle of the strands of fiber-forming material exiting from outlet orifice 15, and therefore lip cleaner 30 of this environment serves both to clean the lip and control the flow of exiting fiber strands.

In similar embodiments, which are shown in FIGS. 9 and 10, a shroud gas tube 31 is positioned concentrically around outer gas tube 19. Pressurized gas at a controlled temperature is forced through shroud gas tube 31 so that it exits from the shroud gas tube orifice 32 and thereby creates a moving shroud of gas around the nanofibers. This shroud of gas can

control the solidification rate of the fiber-forming material by, for example influencing the cooling rate of a molten fiber-forming material, the solvent evaporation rate of the fiber-forming material, or the rate of chemical reactions occurring within the fiber-forming material. It should be understood that the general shape of the gas shroud is controlled by the width of the annular tube orifice **32** and its vertical position with respect to lower end **22** of outer gas tube **19**. The shape is further controlled by the pressure and volume of gas flowing through the shroud. It should be further understood that the gas flowing through the shroud is preferably under a relatively low pressure and at a relatively high volume flow rate in comparison with the gases flowing through center tube **11** and middle gas tube **73**.

In one embodiment, shroud gas tube orifice **32** is in an open configuration, as shown in FIG. **9**. In another embodiment, as shown in FIG. **10**, orifice **32** is in a constricted configuration, wherein the orifice is partially closed by a shroud partition **33** that may adjustably extend radially inward from shroud gas tube **31** toward lower end **23**.

It should be understood that there are many conditions and parameters that will impact the formation of fibers according to the present invention. For example, the pressure of the gas moving through any of the columns of the apparatus of this invention may need to be manipulated based on the fiber-forming material that is employed. Also, the fiber-forming material being used or the desired characteristics of the resulting nanofiber may require that the fiber-forming material itself or the various gas streams be heated. For example, the length of the nanofibers can be adjusted by varying the temperature of the shroud air. Where the shroud air is cooler, thereby causing the strands of fiber-forming material to quickly freeze or solidify, longer nanofibers can be produced. On the other hand, where the shroud air is hotter, and thereby inhibits solidification of the strands of fiber-forming material, the resulting nanofibers will be shorter in length. It should also be appreciated that the temperature of the pressurized gas flowing through center tube **11** and middle gas tube **73** can likewise be manipulated to achieve or assist in these results. For example, acicular nanofibers of mesophase pitch can be produced where the shroud air is maintained at about 350° C. This temperature should be carefully controlled so that it is hot enough to cause the strands of mesophase pitch to be soft enough and thereby stretch and neck into short segments, but not too hot to cause the strands to collapse into droplets. Preferred acicular nanofibers have lengths in the range of about 1,000 to about 2,000 nanometers.

Those skilled in the art will be able to heat the various gas flows using techniques that are conventional in the art. Likewise, the fiber-forming material can be heated by using techniques well known in the art. For example, heat may be applied to the fiber-forming material entering the supply tube, to the pressurized gas entering the center tube, or to the supply tube itself by a heat source **39**, as shown in FIGS. **3** and **6**, for example. In one particular embodiment, as shown in FIG. **6**, heat source **39** can include coils that are heated by a source **59**.

In one specific embodiment the present invention, carbon nanofiber precursors are produced. Specifically, nanofibers of polymer, such as polyacrylonitrile, are spun and collected by using the process and apparatus of this invention. These polyacrylonitrile fibers are heated in air to a temperature of about 200 to about 400° C. under tension to stabilize them for treatment at higher temperature. These stabilized fibers are then converted to carbon fibers by heating to approxi-

mately 1700° C. under inert gas. In this carbonization process, all chemical groups, such as HCN, NH₃, CO₂, N₂ and hydrocarbons, are removed. After carbonization, the fibers are heated to temperatures in the range of about 2000° C. to about 3000° C. under tension. This process, called graphitization, makes carbon fibers with aligned graphite crystallites.

In another specific embodiment, carbon nanofiber precursors are produced by using mesophase pitch. These pitch fibers can then be stabilized by heating in air to prevent melting or fusing during high temperature treatment, which is required to obtain high strength and high modulus carbon fibers. Carbonization of the stabilized fibers is carried out at temperatures between 1000° C. and 1700° C. depending on the desired properties of the carbon fibers.

In another embodiment, NGJ is combined with electrospinning techniques. In these combined process, NGJ improves the production rate while the electric field maintains the optimal tension in the jet to produce orientation and avoid the appearance of beads on the fibers. The electric field also provides a way to direct the nanofibers along a desired trajectory through processing machinery, heating ovens, or to a particular position on a collector. Electrical charge on the fiber can also produce looped and coiled nanofibers that can increase the bulk of the non-woven fabric made from these nanofibers.

Nanofibers can be combined into twisted yarns with a gas vortex. Also, metal containing polymers can be spun into nanofibers and converted to ceramic nanofibers. This is a well known route to the production of high quality ceramics. The sol-gel process utilizes similar chemistry, but here linear polymers would be synthesized and therefore gels would be avoided. In some applications, a wide range of diameters would be useful. For example, in a sample of fibers with mixed diameters, the volume-filling factor can be higher because the smaller fibers can pack into the interstices between the larger fibers.

Blends of nanofibers and textile size fibers may have properties that would, for example, allow a durable non-woven fabric to be spun directly onto a person, such as a soldier or environmental worker, to create protective clothing that could absorb, deactivate, or create a barrier to chemical and biological agents.

It should also be appreciated that the average diameter and the range of diameters is affected by adjusting the gas temperature, the flow rate of the gas stream, the temperature of the fluid, and the flow rate of fluid. The flow of the fluid can be controlled by a valve arrangement, by an extruder, or by separate control of the pressure in the container and in the center tube, depending on the particular apparatus used.

It should thus be evident that the NGJ methods and apparatus disclosed herein are capable of providing nanofibers by creating a thin layer of fiber-forming material on the inside of an outlet tube, and this layer is subjected to shearing deformation until it reaches the outlet orifice of the tube. There, the layer of fiber-forming material is blown apart, into many small jets, by the expanding gas. No apparatus has ever been used to make nanofibers by using pressurized gas. Further, the NGJ process creates fibers from spinnable fluids, such as mesophase pitch, that can be converted into high strength, high modulus, high thermal conductivity graphite fibers. It can also produce nanofibers from a solution or melt. It may also lead to an improved nozzle for production of small droplets of liquids. It should also be evident that NGJ produces nanofibers at a high production rate. NGJ can be used alone or in combination

with either or both melt blowing or electrospinning to produce useful mixtures of fiber geometries, diameters and lengths. Also, NGJ can be used in conjunction with an electric field, but it should be appreciated that an electric field is not required.

What is claimed is:

1. A nozzle for forming a plurality of nanofibers by using a pressurized gas stream comprising:

a center gas tube;

a first fiber-forming material supply tube that is positioned concentrically around and apart from said center gas tube, wherein said center tube and said first fiber-forming material supply tube form a first annular column, and wherein said center gas tube is positioned within said first fiber-forming material supply tube so that a first gas jet space is created between a lower end of said center gas tube and a lower end of said first fiber forming material supply-tube;

a middle gas tube positioned concentrically around and apart from said first supply tube, forming a second annular column;

a second-fiber forming material supply tube positioned concentrically around and apart from said middle gas tube, wherein said middle gas tube and second fiber-forming material supply tube form a third annular column, and wherein said middle gas tube is positioned within said second fiber-forming material supply tube so that a second gas jet space is created between a lower end of said middle gas tube and a lower end of said second fiber-forming material supply tube.

2. A nozzle for forming a plurality of nanofibers according to claim 1, wherein at least one of the first and second gas jet spaces are adjustable.

3. A nozzle for forming a plurality of nanofibers according to claim 1, wherein at least one of the first and second gas jet spaces has a length of about 0.1 to about 10 millimeters.

4. A nozzle for forming a plurality of nanofibers according to claim 1, wherein said center gas tube and said middle gas tube are adapted to carry a pressurized gas at a pressure of from about 10 to about 5000 pounds per square inch.

5. A nozzle for forming a plurality of nanofibers by using a pressurized gas stream according to claim 4, wherein said pressurized gas is selected from the group consisting of nitrogen, helium, argon, air, carbon dioxide, steam fluorocarbons, fluorochlorocarbons, and mixtures thereof.

6. A nozzle for forming a plurality of nanofibers by using a pressurized gas stream according to claim 1, further comprising an outer gas tube having an inlet orifice and an outlet orifice, wherein the outer gas tube is positioned concentrically around said second fiber-forming material supply tube, thereby creating an outer gas annular column.

7. A nozzle for forming a plurality of nanofibers by using a pressurized gas stream according to claim 6, wherein said outer gas tube has a lower end which is on an identical horizontal plane as said lower end of the second fiber-forming material supply tube.

8. A nozzle for forming a plurality of nanofibers by using a pressurized gas stream according to claim 6, wherein said outer gas tube has a lower end which is on a different horizontal plane than said lower end of the second fiber-forming material supply tube.

9. A nozzle for forming a plurality of nanofibers by using a pressurized gas stream according to claim 6, wherein at least one of said center gas tube, said middle gas tube and said outer gas tube is adapted to carry a pressurized gas at a pressure of from about 10 to about 5,000 pounds per square inch.

10. A nozzle for forming a plurality of nanofibers by using a pressurized gas stream according to claim 6, further comprising a gas shroud tube having an inlet orifice and an outlet orifice, wherein said gas shroud tube is positioned concentrically around said outer gas tube.

11. A nozzle for forming a plurality of nanofibers by using a pressurized gas stream according to claim 10, wherein said gas shroud tube is adapted to carry a gas at a lower pressure and higher flow rate than a gas being supplied through the center gas tube.

12. A nozzle for forming a plurality of nanofibers by using a pressurized gas stream according to claim 11, wherein said outlet orifice is partially closed by a shroud partition directed radially inward from said gas shroud tube.

13. A nozzle for forming a plurality of nanofibers by using a pressurized gas stream according to claim 1, wherein said center gas tube and said first fiber-forming material supply tube are essentially parallel to each other.

14. A nozzle for forming a plurality of nanofibers by using a pressurized gas stream according to claim 1, comprising: means for contacting one or more fiber-forming materials with a plurality of gas streams within said nozzle, such that a plurality of strands of fiber-forming material are ejected from said nozzle, whereupon said strands of fiber-forming material solidify and form nanofibers having a diameter up to about 3000 nanometers.

15. A method for forming a plurality of nanofibers from a single nozzle comprising the steps of:

(A) providing a nozzle containing:

a center tube;

a first supply tube that is positioned concentrically around and apart from said center tube, wherein said center tube and said first supply tube form a first annular column, and wherein said center tube is positioned within said first supply tube so that a first gas jet space is created between a lower end of said center tube and a lower end of said supply tube;

a middle gas tube positioned concentrically around and apart from said first supply tube, forming a second annular column; and

a second supply tube positioned concentrically around and apart from said middle gas tube, wherein said middle gas tube and second supply tube form a third annular column, and wherein said middle gas tube is positioned within said second supply tube so that a second gas jet space is created between a lower end of said middle gas tube and a lower end of said second supply tube; and

(B) feeding one or more fiber-forming materials into said first and second supply tubes;

(C) directing the fiber-forming materials into said first and second gas jet spaces, thereby forming an annular film of fiber-forming material in said first and second gas jet spaces, each annular film having an inner circumference;

(D) simultaneously forcing gas through said center tube and said middle gas tube, and into said first and second gas jet spaces, thereby causing the gas to contact the inner circumference of said annular films in said first and second gas jet spaces, and ejecting the fiber-forming material from the exit orifices of said first and third annular columns in the form of a plurality of strands of fiber-forming material that solidify and form nanofibers having a diameter up to about 3,000 nanometers.

16. The method for forming a plurality of nanofibers from a single nozzle according to claim 15, wherein the nozzle

15

additionally contains an outer gas tube having an inlet orifice and outlet orifice, said outer gas tube being positioned concentrically around and apart from an outermost supply tube, and wherein the method further comprises the step of feeding a cleaner gas through said outer gas column, where the cleaner gas exits the outer gas column at a cleaner orifice that is positioned proximate to an exit orifice of the outermost supply tube, wherein the exit of the cleaner gas thereby prevents the build-up of residual amounts of fiber-forming material at the exit orifice of the outermost supply tube.

17. The method for forming a plurality of nanofibers from a single nozzle according to claim **16**, wherein the nozzle additionally contains a shroud gas tube positioned concentrically around and apart from said outer gas tube, said

16

shroud gas tube having an inlet orifice and an outlet orifice, and wherein the method further comprises the step of feeding a shroud gas into said shroud gas tube, such that shroud gas exits the shroud gas tube from the shroud gas tube exit orifice, the exit of the shroud gas thereby influencing the solidification rate of the fiber-forming material being ejected from the exit orifices of the supply tubes.

18. The method for forming a plurality of nanofibers from a single nozzle according to claim **15**, further comprising the step of directing the plurality of strands of fiber-forming material exiting from the nozzle into an electric field.

* * * * *

UNITED STATES PATENT AND TRADEMARK OFFICE
CERTIFICATE OF CORRECTION

PATENT NO. : 6,520,425 B1
DATED : February 18, 2003
INVENTOR(S) : Darrell H. Reneker

Page 1 of 1

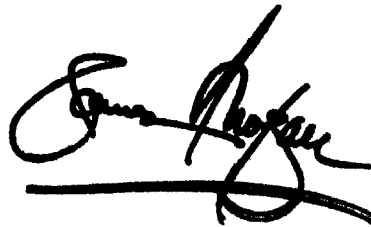
It is certified that error appears in the above-identified patent and that said Letters Patent is hereby corrected as shown below:

Column 13,

Lines 17-18, a hyphen should be inserted between "fiber" and "forming";
Line 18, the hyphen between "supply" and "tube" should be removed;
Line 20, after "first" and before "supply", -- fiber-forming material -- should be added;
Line 22, the hyphen between "second" and "fiber" should be removed; and
Line 22, a hyphen should be inserted between "fiber" and "forming".

Signed and Sealed this

Twenty-eighth Day of October, 2003

A handwritten signature in black ink, appearing to read "James E. Rogan", written over a horizontal line.

JAMES E. ROGAN
Director of the United States Patent and Trademark Office